

Filing cabinets by Bisley

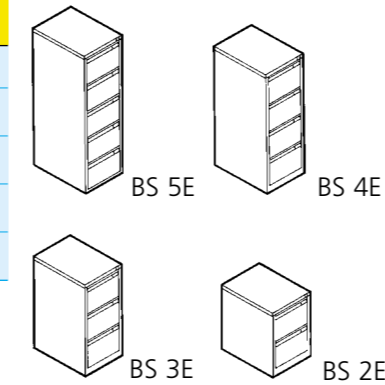
		<p>Bisley's range of flush front filing cabinets incorporates 5, 4, 3 and 2 drawer versions for A4 or foolscap filing.</p> <p>Full extension drawers give greater filing capacity and 100% access to contents. Each 4 drawer cabinet contains 2.22 metres of filing.</p>	
	<p>Side filing cabinets are available with 4, 3 and 2 drawers with a 25% greater filing capacity than standard filing cabinets. Accommodates foolscap side-on or two rows of A4 filing front-on.</p>		
<p>Card filing cabinets are available for three card sizes, 6x4, 8x5, 9x6in and can accommodate 2 rows of cards per drawer. Each drawer contains two adjustable card support plates. Cabinets can also house CDs, videos and audio cassettes.</p>			
	<p>F Series cabinets comprise four units with varying drawer configurations, ideal for home office use when flexibility for filing and storage is required. Filing drawers take either foolscap or A4 filing. In place of the normal plinth base, a castor base can be supplied and is easily fitted into position. This allows the cabinet to be used as a mobile desk pedestal.</p>		<p>Bisley also produce other storage systems from desk top accessories and waste paper tubs to high capacity side tambour storage, for every storage requirement Bisley can provide a solution.</p> <p>Contact your nearest recommended dealer for further details.</p>

Technical specifications by Bisley

Cabinet dimensions and capacities

Reference	Drawers	Height	Filing capacity m
BS 5E	5	1511mm 59.5in	2.78
BS 4E	4	1321mm 52in	2.22
BS 3E	3	1016mm 40in	1.67
BS 2E	2	711mm 28in	1.11

Overall size (w x d) 470 x 622mm (18.5 x 24.5in).
A4 filing cabinets are available, overall dimensions remain the same except overall width is 413mm (16.25in) Prefix A4 model number when ordering.



Colours

A large range of finishes are available. Colours prefixed with * are subject to a surcharge.



Bisley guarantee

Bisley filing cabinets are guaranteed for a minimum of 7 years of normal use against defects in materials or workmanship. For full details of our terms and conditions please see the Price List.

In accordance with our policy of continuous product development and improvement, we reserve the right to change the specification of products illustrated and described in this brochure without prior notice.

BS standards – compliance summary

Standard	Part	Level
BS 4875	7	7
BS 4875	8	8
BS 5459	3	H&S
BS 3900	E1,2,3 & 6	—

Head Office, Sales & Production

F C Brown (Steel Equipment) Ltd
Bisley Office Furniture
Queens Road
Bisley Surrey
GU24 9BJ

Tel: +44 (0)1483 485 600
Fax: +44 (0)1484 489 962

Showroom

Bisley Office Furniture
Northumberland House
155-157 Great Portland Street
London
W1N 5FB

Tel: +44 (0)171 436 7111
Fax: +44 (0)171 436 8111



Design & Production

Bisley Office Furniture
Caswell Way
Reevesland Ind Est
Newport, Gwent
NP9 0PW

Tel: +44 (0)1633 290 353
Fax: +44 (0)1633 281 414

Filing cabinets by Bisley



BISLEY

At Bisley filing and storage is our business.

Our range of filing cabinets can be used to adapt any area into a working environment.

Utilise timber, laminates and glass to achieve an individual touch.

Holes on back and side for units to be fixed together for added safety

One piece carcass for strength

Locking

Flush front with full width handle

Welded corners

Fully extending drawer gives greater capacity and total access to contents. Every Bisley 4 drawer holds 2.22m of filing.

Double skin drawer front for added strength

Progressive action smooth ball bearing slides

Anti-tilt which allows only one drawer to be opened at any one time

Tough paint finish (conforms to BS3900)

